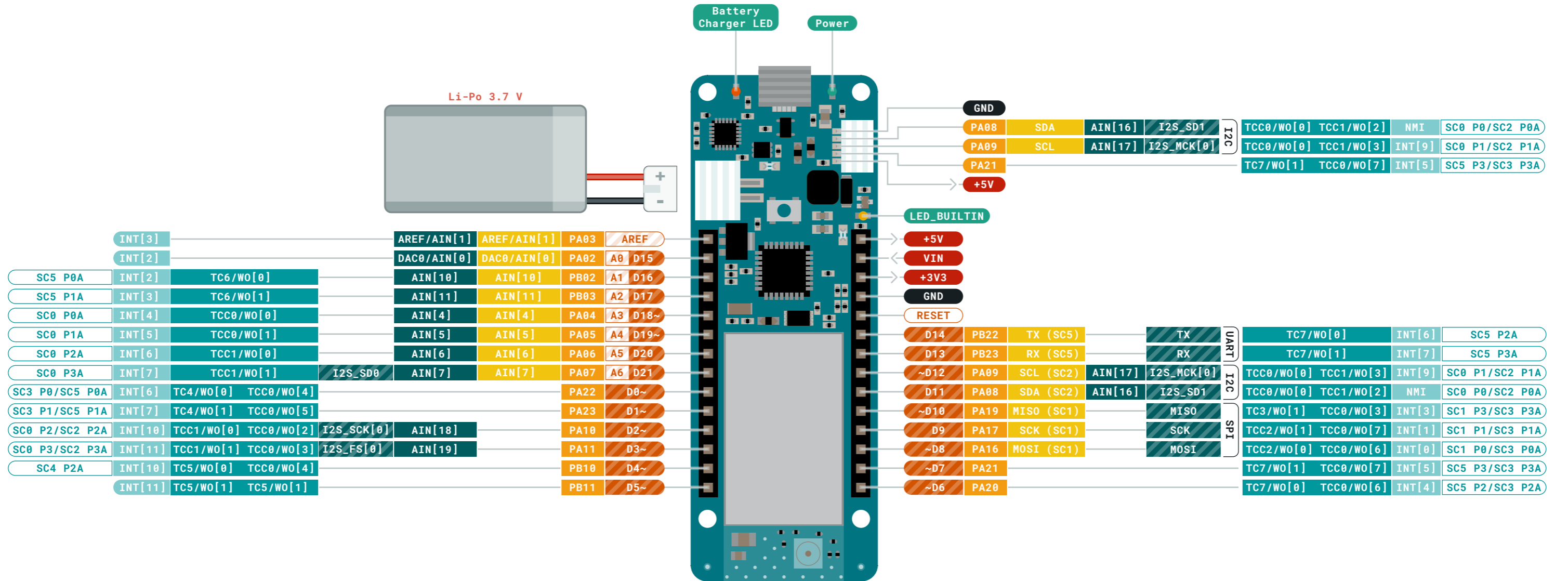


- Ground
- Power
- LED
- Internal Pin
- SWD Pin
- Digital Pin
- Analog Pin
- Other Pin
- Microcontroller's Port
- Default

- ⚠ **MAXIMUM** current per pin is 7mA
- ⚠ **MAXIMUM** source current is 46mA
- ⚠ **MAXIMUM** sink current is 65mA per pin group

VIN Input voltage to the board.



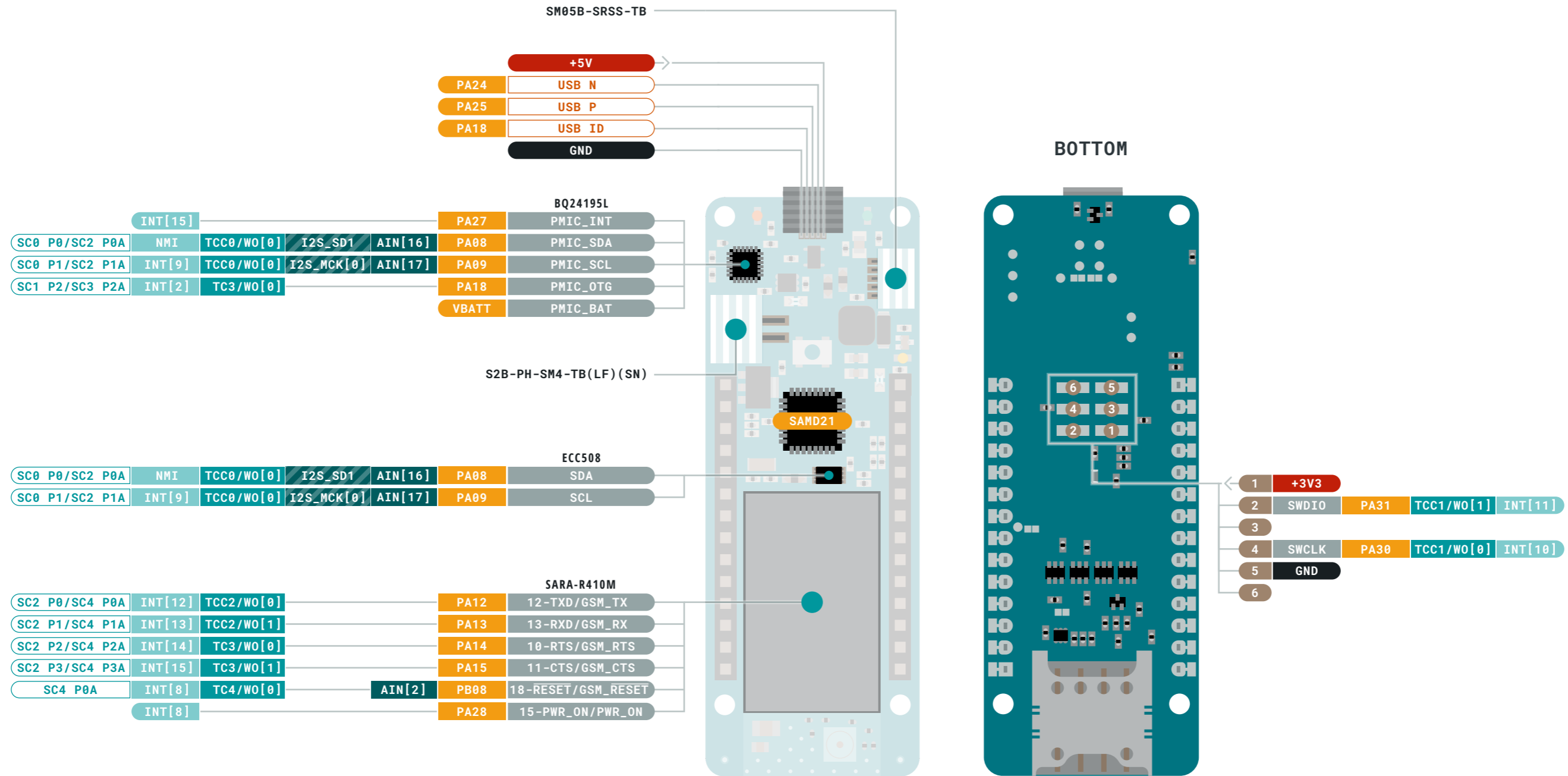


Ground	Digital Pin	Analog Pin	Analog
Power	Analog Pin	Other Pin	Communication
LED	Microcontroller's Port	Timer	Interrupt
Internal Pin	Default	Sercom	
SWD Pin			

- MAXIMUM** current per pin is 7mA
- MAXIMUM** source current is 46mA
- MAXIMUM** sink current is 65mA per pin group

VIN Input voltage to the board.





- Ground
- Power
- LED
- Internal Pin
- SWD Pin
- Digital Pin
- Analog Pin
- Other Pin
- Microcontroller's Port
- Default
- Analog
- Communication
- Timer
- Interrupt
- Sercom

- MAXIMUM** current per pin is 7mA
- MAXIMUM** source current is 46mA
- MAXIMUM** sink current is 65mA per pin group

VIN Input voltage to the board.

